

 **BARRIER FREE**

LYNBROOK™ 1.0 GPF BLOWOUT URINAL

- Vitreous china
- Low consumption (3.8 Lpf/1.0 gpf)
- Flushing rim
- Blowout flush action
- Privacy shields
- 1-1/4" inlet spud
- Outlet connection threaded 2" inside (NPTF)
- 2 wall hangers
- Fixture only
- Meets ASME flush requirements at 1.0 GPF

6601.012 Top spud

6605.027 Back spud

Nominal Dimensions:

356 x 470 x 730mm
(14" x 18-1/2" x 28-3/4")

Recommended working pressure—between
20 psi at valve when flushing and 80 psi static.

Compliance Certifications -

Meets or Exceeds the Following Specifications:

- ASME A112.19.2 for Vitreous China Fixtures

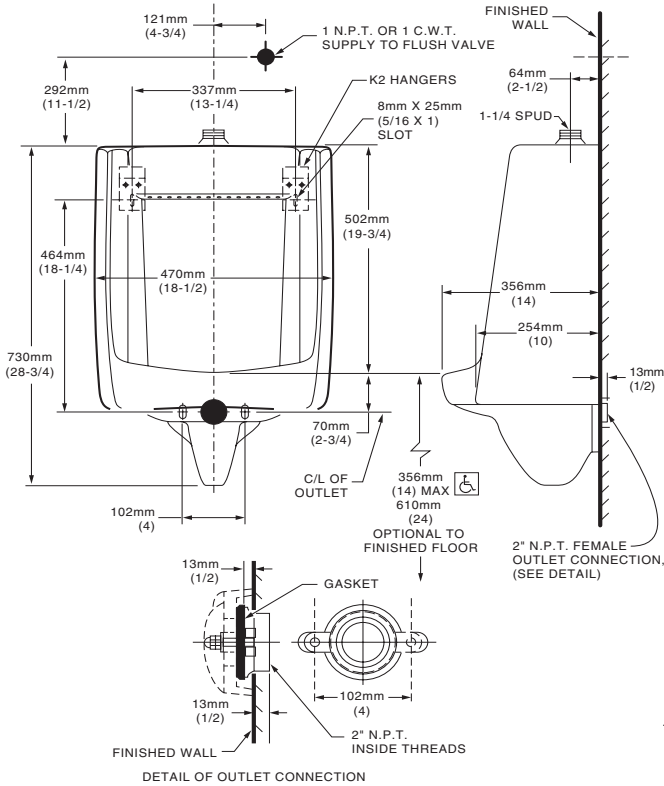


SEE REVERSE FOR ROUGHING-IN DIMENSIONS

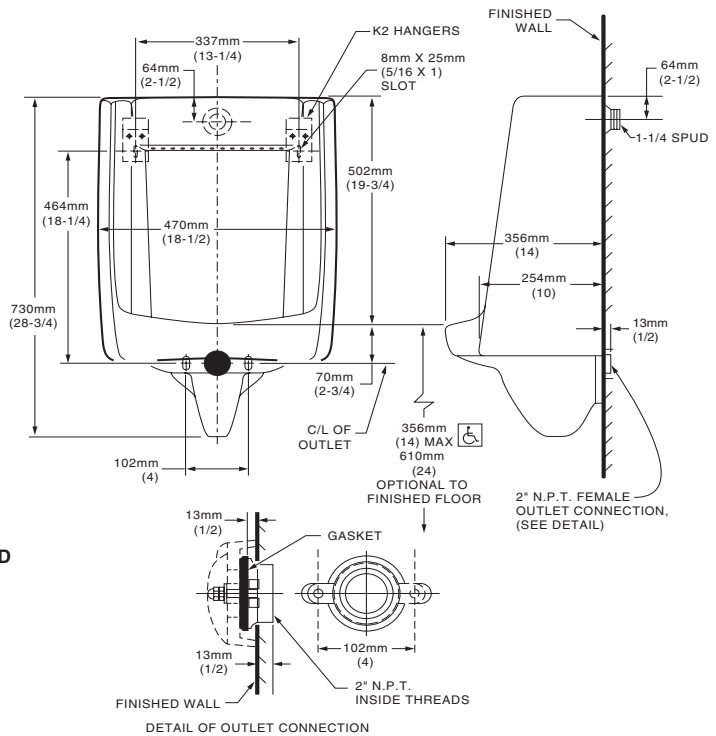
To Be Specified:


- Color: White Bone Silver Linen
- Flush Valve:
 - Sloan Royal 180-1 (Top Spud)
 - Sloan Royal 190-1 (Back Spud)
- Alternative Flush Valve:

6601.012 TOP SPUD



6605.027 BACK SPUD



 MEETS THE AMERICANS WITH DISABILITIES ACT GUIDELINES AND ANSI A117.1 ACCESSIBLE AND USEABLE BUILDINGS AND FACILITIES - CHECK LOCAL CODES.

- When installed so top of rim is 356mm (14") from finished floor.

NOTES:
FLUSH VALVE NOT INCLUDED WITH FIXTURE AND MUST BE ORDERED SEPARATELY.
PROVIDE SUITABLE REINFORCEMENT FOR ALL WALL SUPPORTS.

IMPORTANT: Dimensions of fixtures are nominal and may vary within the range of tolerances established by ANSI Standard A112.19.2. These measurements are subject to change or cancellation. No responsibility is assumed for use of superseded or voided pages.